

DISTRICT OF COLUMBIA WATER AND SEWER AUTHORITY

W-10-01
2 of 2

PIPE DIAMETER	MINIMUM EXCAVATION	ADJUSTED EXCAVATION
8"	2' - 10"	2' - 4"
12"	2' - 2"	2' - 2"
18"	2' - 0"	2' - 0"
24"	2' - 0"	2' - 0"
30"	4' - 0"	4' - 0"
36"	4' - 0"	4' - 0"
42"	4' - 0"	4' - 0"
48"	4' - 0"	4' - 0"

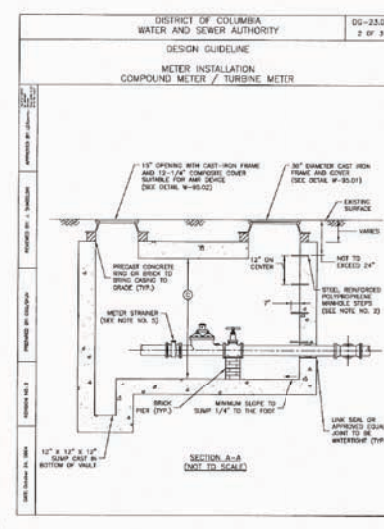
STANDARD DETAIL
DUCTILE IRON WATER MAIN
PIPE LAYING CONDITION TYPE 2A
(TRENCH INSTALLATION)

DISTRICT OF COLUMBIA WATER AND SEWER AUTHORITY

W-40-01
2 of 2

PIPE DIAMETER	MINIMUM EXCAVATION	ADJUSTED EXCAVATION
8"	2' - 10"	2' - 4"
12"	2' - 2"	2' - 2"
18"	2' - 0"	2' - 0"
24"	2' - 0"	2' - 0"
30"	4' - 0"	4' - 0"
36"	4' - 0"	4' - 0"
42"	4' - 0"	4' - 0"
48"	4' - 0"	4' - 0"

STANDARD DETAIL
CONCRETE THRUST BLOCK
FOR HORIZONTAL PIPE BEND & TEE
12" DIAMETER & SMALLER WATER MAINS

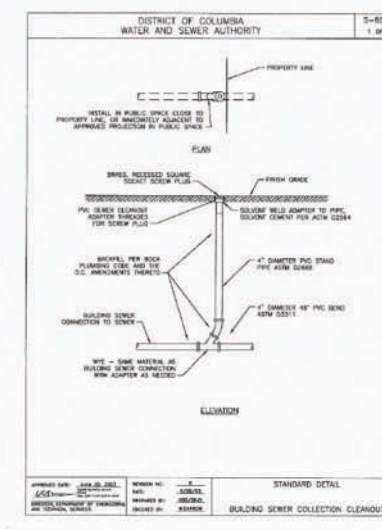
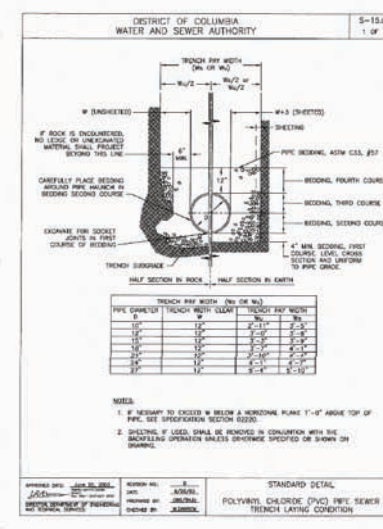
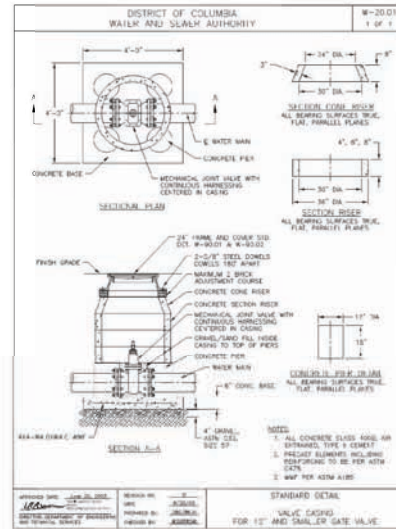
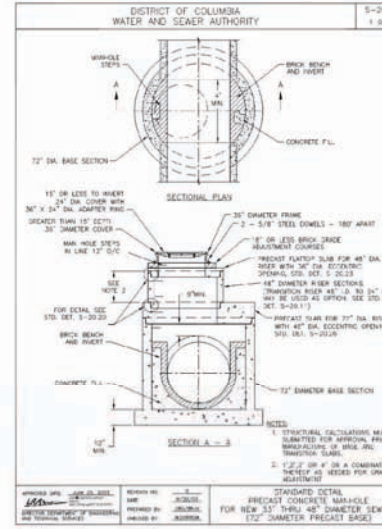


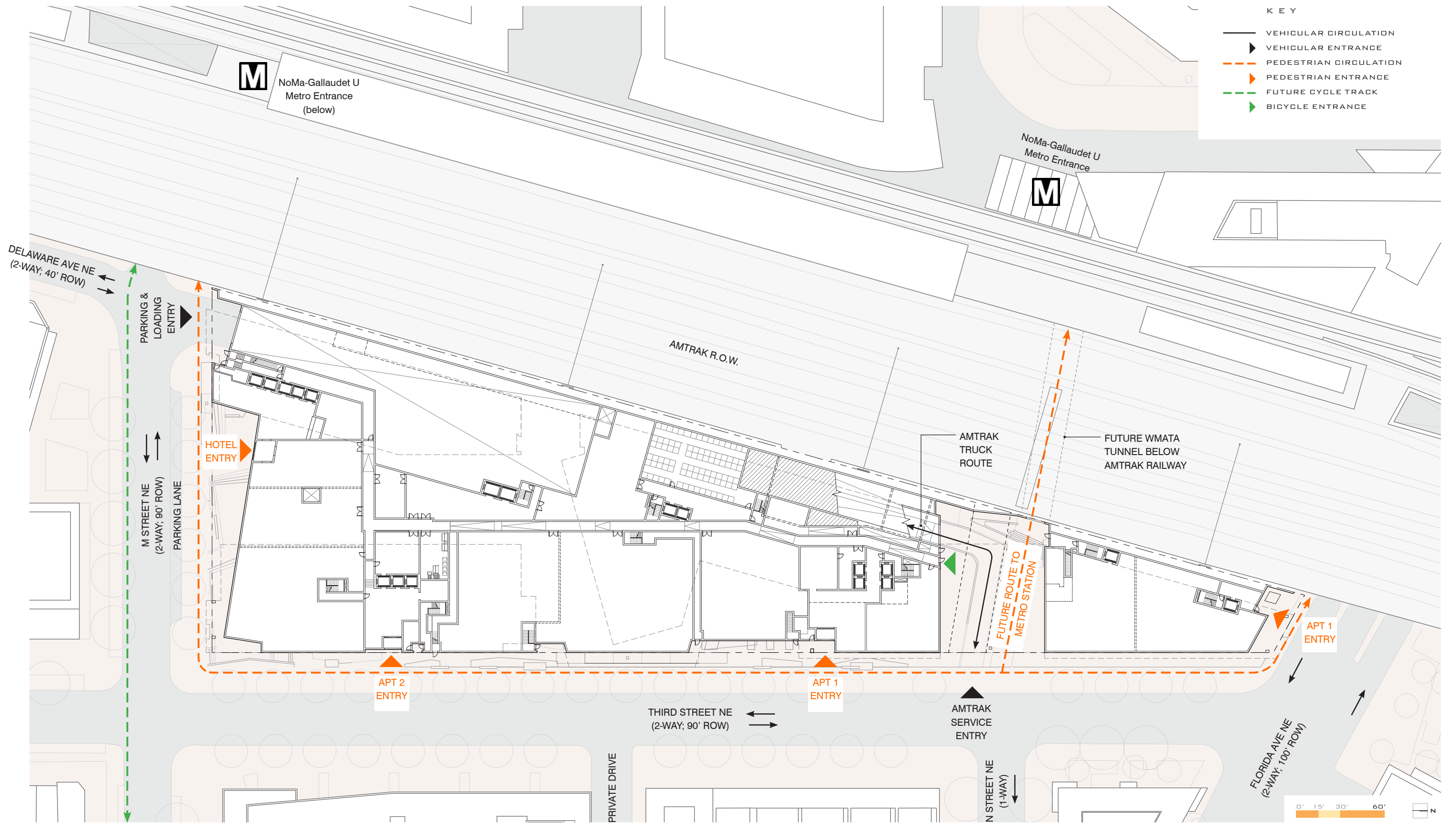
DISTRICT OF COLUMBIA WATER AND SEWER AUTHORITY

S-12-01
2 of 2

PIPE DIAMETER	PIPE BEDDING DIMENSION	TRENCH FILL WIDTH
8"	12" x 12"	2' - 0"
12"	12" x 12"	2' - 0"
18"	12" x 12"	2' - 0"
24"	12" x 12"	2' - 0"
30"	12" x 12"	2' - 0"
36"	12" x 12"	2' - 0"
42"	12" x 12"	2' - 0"
48"	12" x 12"	2' - 0"

STANDARD DETAIL
CONCRETE PIPE SEWER
TRENCH LAYING CONDITION





1200 THIRD STREET, NE

PUD SUBMISSION

shalom baranes associates architects

